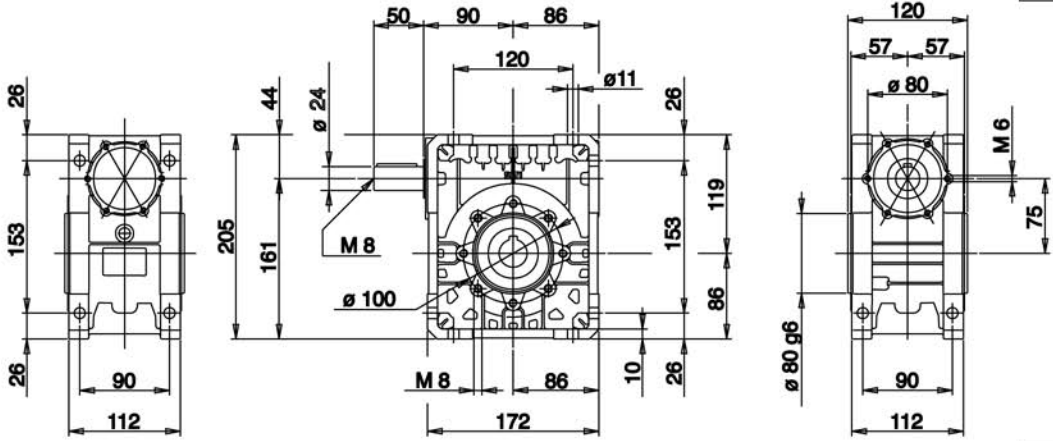
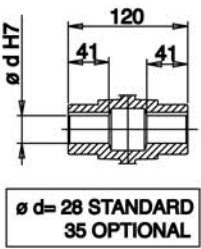
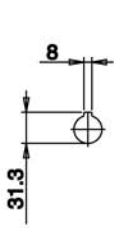


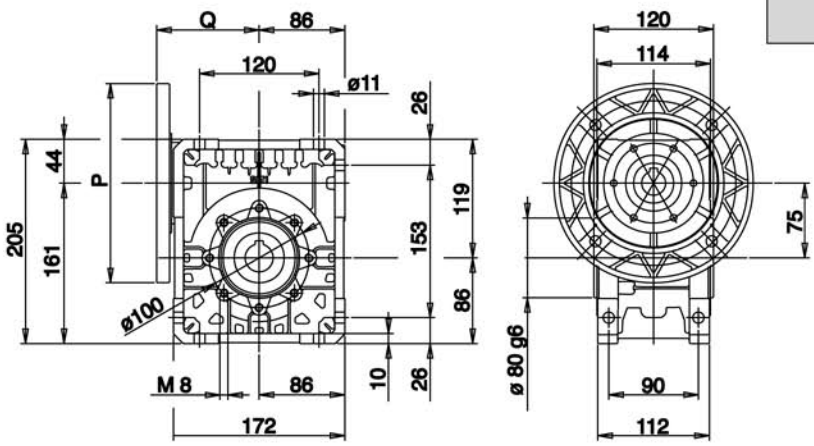
U 75



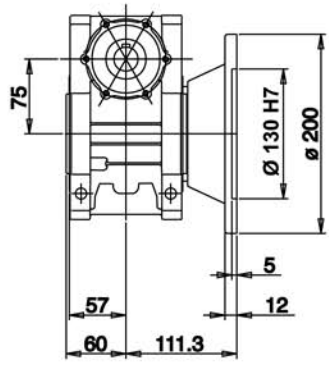
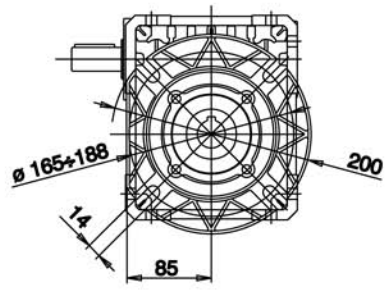
MU 75



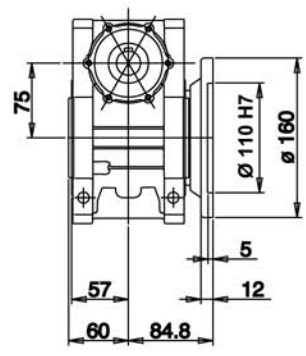
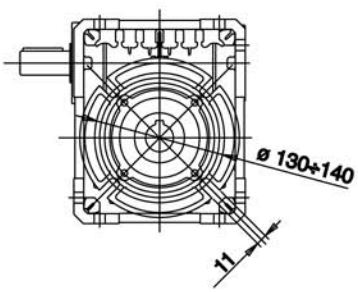
$\phi d = 28$ STANDARD
35 OPTIONAL



U - MU



FBML



FBM