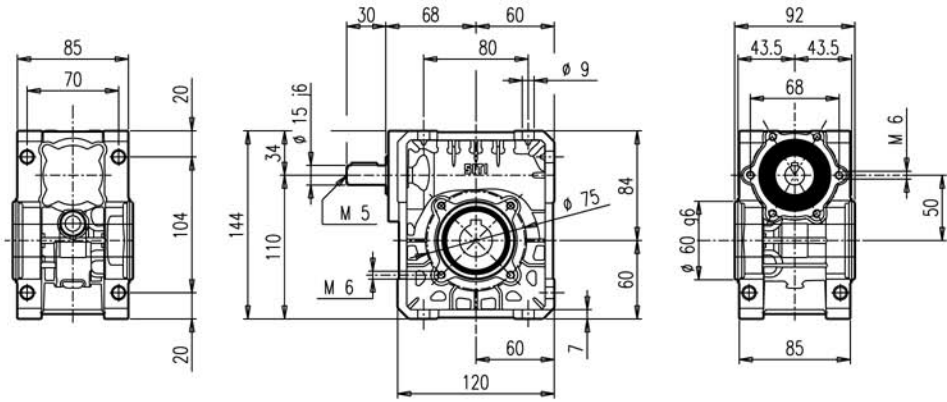
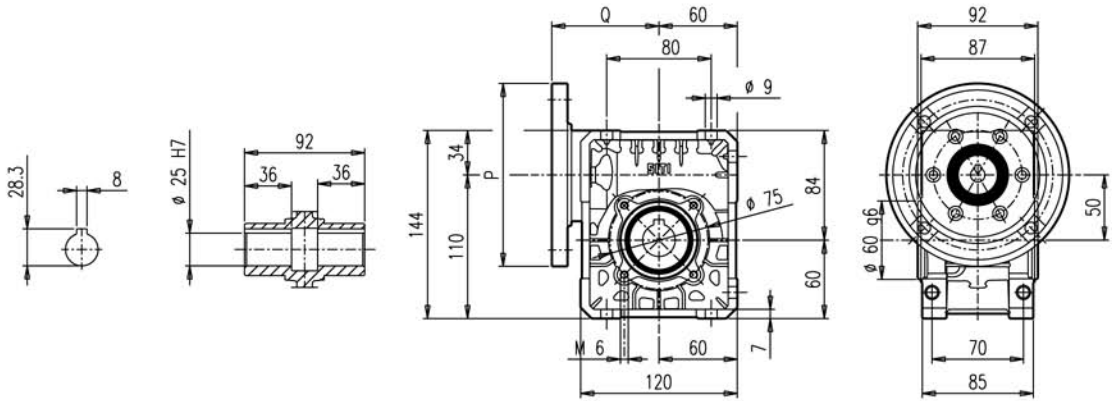


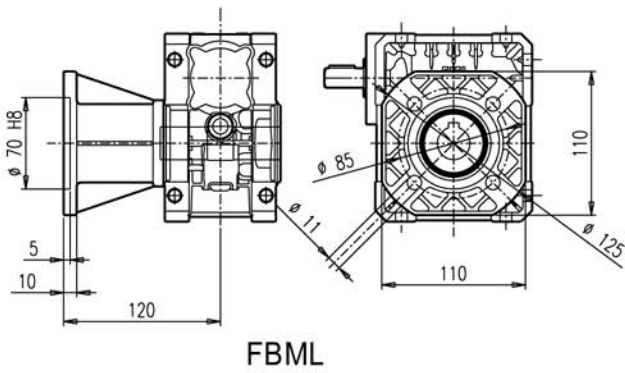
U 50



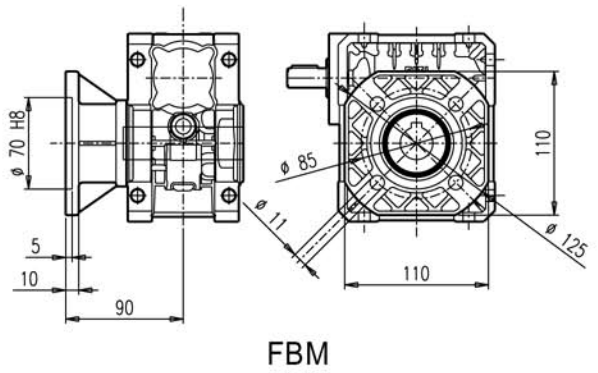
MU 50



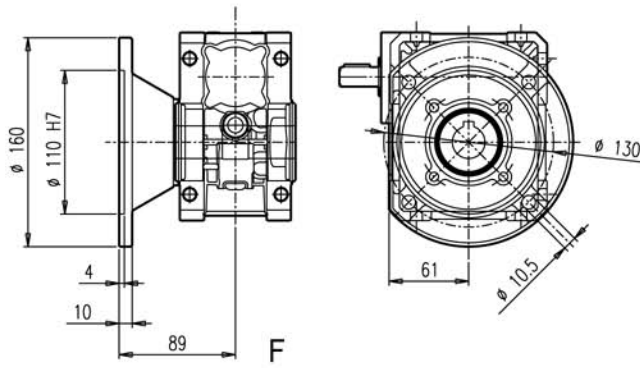
U - MU



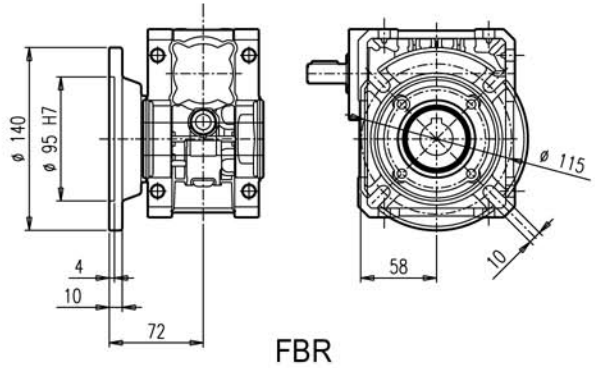
FBML



FBM



F



FBR