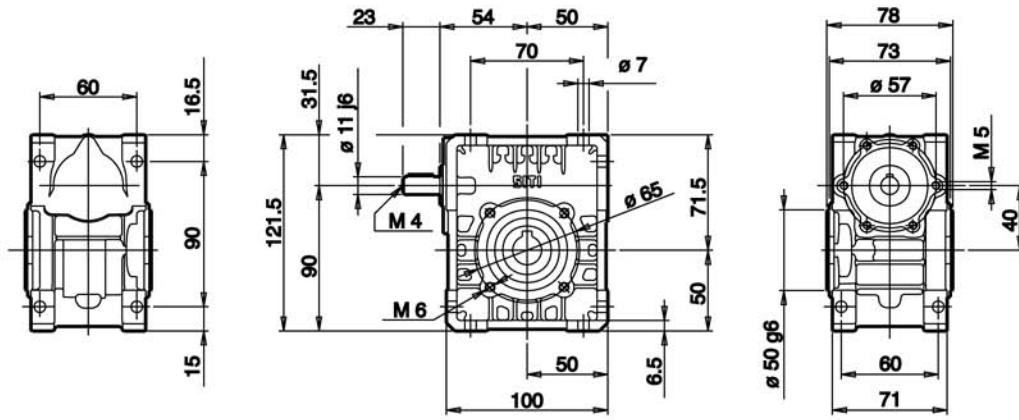
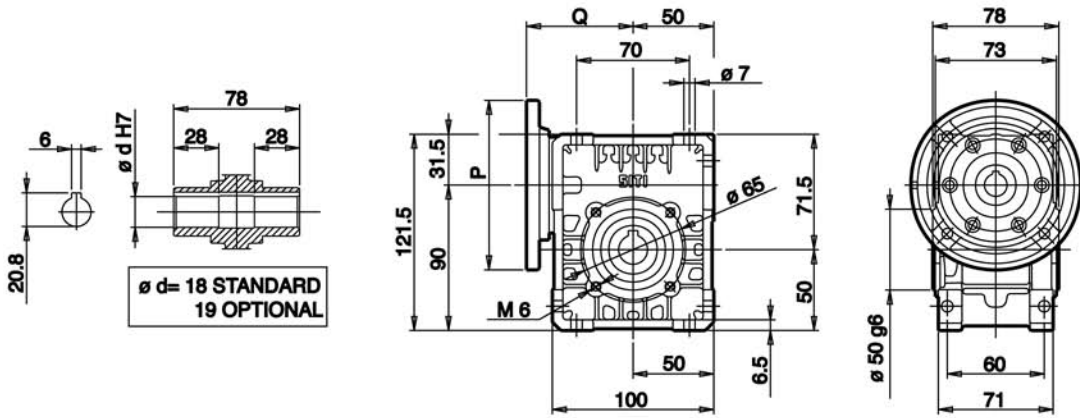


U 40



MU 40



U - MU

