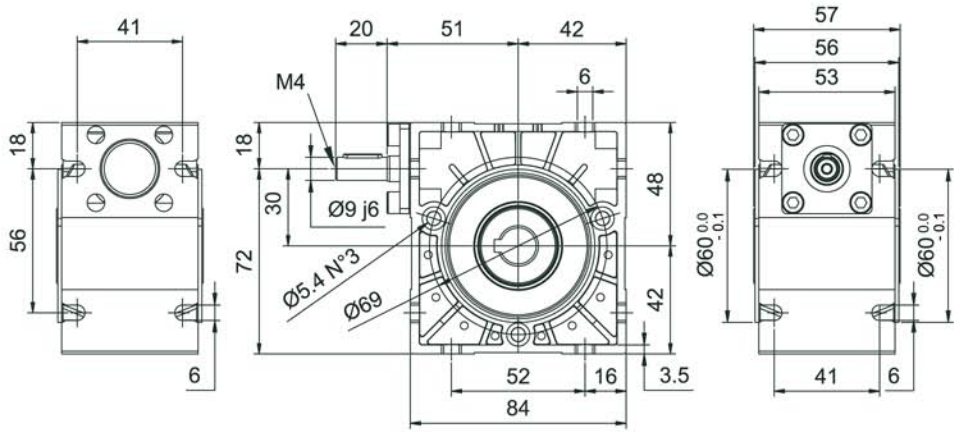
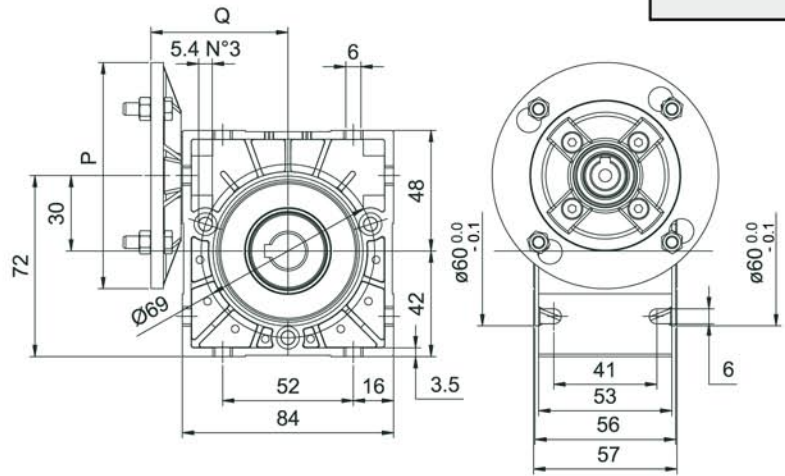
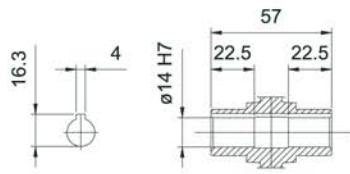


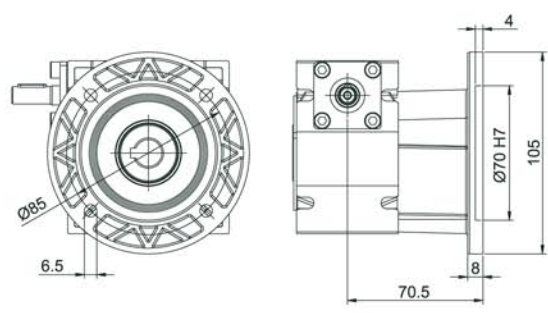
U 30



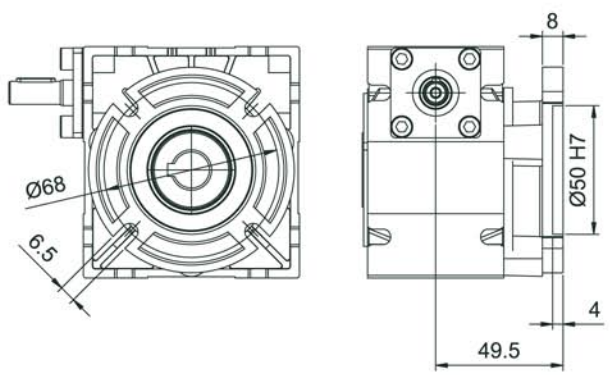
MU 30



U - MU



F



FBC