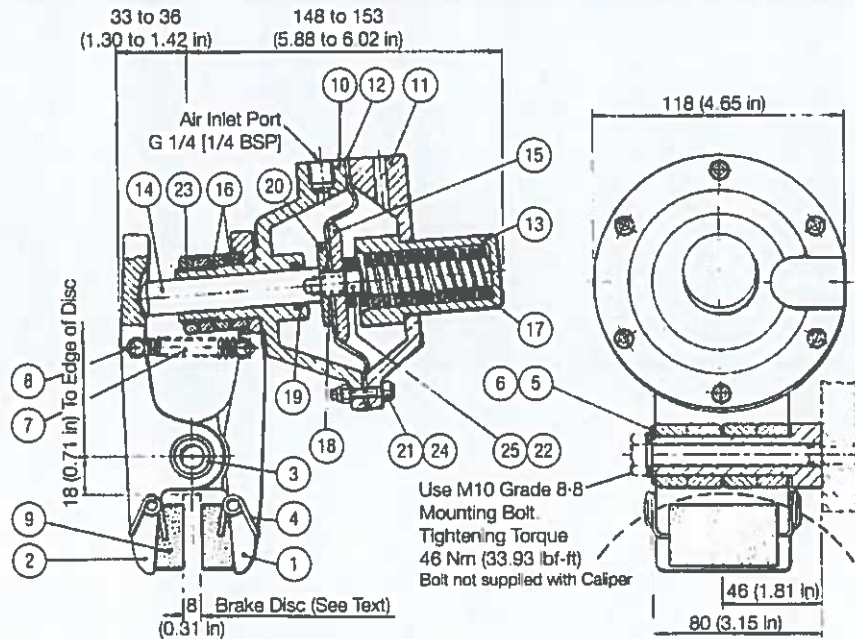


Disc Brake Caliper: Type MUS3 - Spring Applied, Air Released

Holding Duties and Occasional Stopping



Disc Brake Caliper Assembly Type MUS

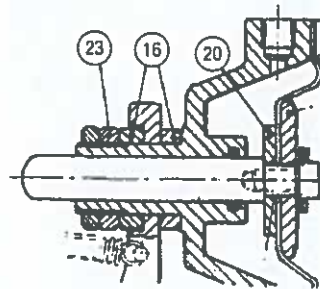
Parts List

Item	Component	Part No.	Qty.
1	Arm (Thruster Side)	6640177	1
2	Arm (Opposite Side)	6640178	1
3	Pivot Post	8240039	1
4	Pad Retaining Spring	2400093	2
5	9/16" Plain Washer	4700209	1
6	M10 Plain Washer	4700208	1
7	Tension Spring	2400109	2
8	Grooved Pin	3100088	2
9	Brake Pad	7080047	2
10	Front Cap	7240934	1
11	Rear Cap	7240935	1
12	Diaphragm	7200936	1
13	Thruster Spring Cap	7250940	1

Item	Component	Part No.	Qty.
14	Piston Rod	7250946	1
15	Piston Rod Plate	7250938	1
16	Spacer	1650494	2
17	Compression Spring	2500190	1
18	O-Ring	6000304	1
19	Quad Seal	6000299	1
20	Pressure Washer	7200976	1
21	M5x25 Skt Hd Cap Screw	5400331	1
22	M8 Light Washer	4700253	1
23	3/4" BSP Nut	5100051	2
24	M5 Nut	5100195	6
25	M8x26 Skt Hd Cap Screw	5400420	1

Technical Data MUS3:

Thruster only Part No. 7201126(S3).
 Caliper only Part No. 6780918.
 Complete assembly (Caliper and thruster) Part No. 6780923.
 Weight (complete assembly) - 2.200kg (4.85 lb)
 Minimum brake disc diameter - 150mm (5.91 in)
 Disc thickness (Standard) - 8mm to 11mm (0.31 to 0.43 in)
 New pad dimensions - 30x50x21mm (1.18 x 1.97 x 0.83 in) thick
 No pad wear allowance is provided
 Total pad area - 30cm² (4.65 in²)
 Minimum pressure for full retraction - 2 bar (29 psi).
 Maximum pressure - 7 bar (102 psi)
 *If one of the mounting spacers (Item 16) is repositioned between thruster and caliper, thicker discs up to 13mm can be accommodated. (see scrap view).



Braking Force 780 N (175 lbf) at coefficient of friction $\mu = 0.38$
 Brake torque (Nm) = Braking force (N) x effective disc radius (m).
 (Effective disc radius (m) = actual radius (m) - 0.020).